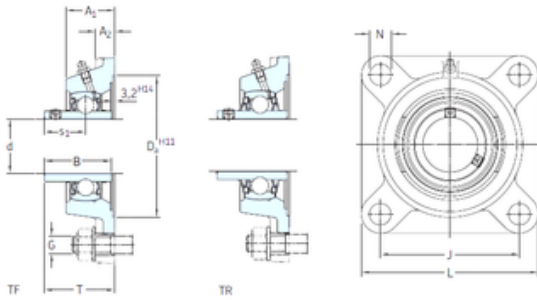




SMOOTH BEARING MFG.CORP.

SKF FY 25 WF bearing units

Bearing No. FY 25 WF



FY 25 WF Bearing 2D drawings and 3D CAD models

Bore Diameter	25 mm
d	25 mm
Da	74,6 mm
s1	26,9 mm
A1	30 mm
B1	44,4 mm
G	10 mm
J	70 mm
L	95 mm
N	11,5 mm
T	45,6 mm
A2	12 mm
Weight	0,83 Kg
Basic dynamic load rating (C)	14 kN
Basic static load rating (C0)	7,8 kN
Fatigue load limit (Pu)	0,335
Category	Bearings
Inventory	0.0
Manufacturer Name	SKF
Minimum Buy Quantity	N/A
Weight / Kilogram	0.76
EAN	7316571017136
Product Group	M06110
Housing material	Cast iron
D _a	74.6 mm
D _{b1}	65 mm



SMOOTH BEARING MFG.CORP.

D_{b2}	71 mm
A	30 mm
A_1	12 mm
A_3	3.2 mm
A_5	18 mm
B_1	44.4 mm
s_1	26.9 mm
R_G	1/4-28 UNF
R_1	21 mm
D_N	6.5 mm
SW_N	7 mm
G_N	1/4-28 SAE-LT
J_6	83 mm
J_7	19 mm
N_4	4 mm
Basic dynamic load rating C	14 kN
Basic static load rating C_0	7.8 kN
Fatigue load limit P_u	0.335 kN
Limiting speed	7000 r/min
Mass bearing unit	0.76 kg
Thread grub screw G_2	M6x0.75
Hexagonal key size for grub screw N	3 mm
Recommended tightening torque for grub screw	4 N · m
Recommended diameter for attachment bolts, mm G	10 mm
Recommended diameter for attachment bolts, inch G	0.375 in
Housing	FY 505 M
Bearing	YEL 205-2F
End cover	ECY 205