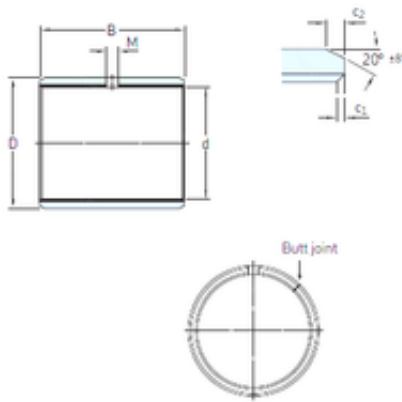




SMOOTH BEARING MFG.CORP.



28,575 mm x 32,544 mm x 25,4 mm 28,575 mm
 x 32,544 mm x 25,4 mm 28,575 mm x 32,544 mm x
 25,4 mm SKF PCZ 1816 M plain bearings

Bearing No. PCZ 1816 M

PCZ 1816 M Bearing 2D drawings and 3D CAD models

Size	28.575x32.544x25.4 mm
Bore Diameter	28,575 mm
Outer Diameter	32,544 mm
Width	25,4 mm
d	28,575 mm
D	32,544 mm
B	25,4 mm
c1 min	0,1 mm
c2 min	0,8 mm
M	4 mm
Weight	0,032 Kg
Basic dynamic load rating (C)	85 kN
c ₁ min.	0.1 mm
c ₁ max.	0.7 mm
c ₂ min.	0.8 mm
c ₂ max.	1.6 mm
± 8	20 °
Shaft diameter range min.	28.26 mm
Shaft diameter range max.	28.291 mm
Housing bore range min.	32.545 mm
Housing bore range max.	32.568 mm
Basic dynamic load rating - radial direction C	85 kN
Basic static load rating - radial direction C ₀	176 kN



SMOOTH BEARING MFG.CORP.

Specific dynamic load factor K	120 N/mm ²
Specific static load factor K ₀	250 N/mm ²
Factor depending on material and bearing type K _M	1900
Permissible sliding velocity v min.	0 m/s
Permissible sliding velocity v max.	2.5 m/s
Coefficient of friction μ min.	0.02
Coefficient of friction μ max.	0.2
Mass bushing	0.032 kg