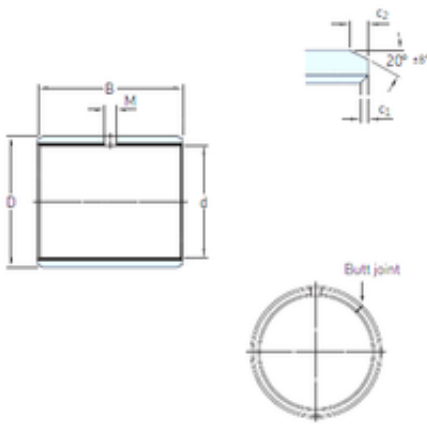




SMOOTH BEARING MFG.CORP.



90 mm x 95 mm x 60 mm 90 mm x 95 mm x 60 mm 90 mm x 95 mm x 60 mm SKF PCM 909560 M plain bearings

Bearing No. PCM 909560 M

PCM 909560 M Bearing 2D drawings and 3D CAD models

Size	90x95x60 mm
Bore Diameter	90 mm
Outer Diameter	95 mm
Width	60 mm
d	90 mm
D	95 mm
B	60 mm
c1 min	0,2 mm
c2 min	1,2 mm
M	6 mm
Weight	0,3 Kg
Basic dynamic load rating (C)	640 kN
c ₁ min.	0.2 mm
c ₁ max.	1 mm
c ₂ min.	1.2 mm
c ₂ max.	2.4 mm
± 8	20 °
Tolerance shaft	h8
Tolerance housing	H7
Basic dynamic load rating - radial direction C	640 kN
Basic static load rating - radial direction C ₀	1320 kN
Specific dynamic load factor K	120 N/mm ²



SMOOTH BEARING MFG.CORP.

Specific static load factor K_0	250 N/mm ²
Factor depending on material and bearing type K_M	1900
Permissible sliding velocity v min.	0 m/s
Permissible sliding velocity v max.	2.5 m/s
Coefficient of friction μ min.	0.02
Coefficient of friction μ max.	0.2
Mass bushing	0.3 kg