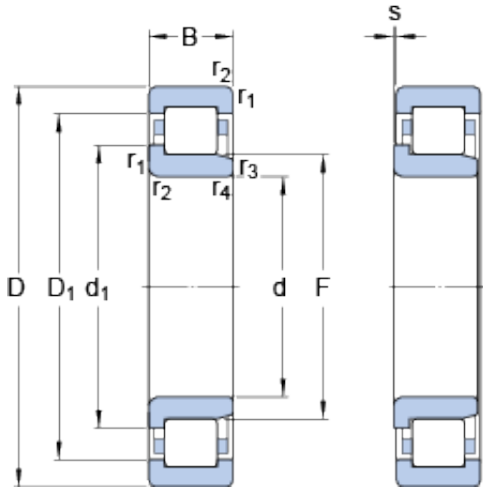




SMOOTH BEARING MFG.CORP.



40 mm x 80 mm x 23 mm 40 mm x 80 mm x 23 mm
 mm 40 mm x 80 mm x 23 mm SKF NJ 2208 ECPH
 thrust ball bearings

Bearing No. NJ 2208 ECPH

NJ 2208 ECPH Bearing 2D drawings and 3D CAD models

Size	80x40x23 mm
Bore Diameter	80 mm
Outer Diameter	40 mm
Width	23 mm
d	40 mm
D	80 mm
B	23 mm
d ₁	54 mm
D ₁	67.4 mm
F	49.5 mm
r _{1,2} - min.	1.1 mm
r _{3,4} - min.	1.1 mm
s	1.9 mm
d _a - min.	47 mm
d _a - max.	48 mm
d _b - min.	56 mm
D _a - max.	72.8 mm
r _a - max.	1 mm
Basic dynamic load rating - C	81.5 kN
Basic static load rating - C ₀	75 kN
Fatigue load limit - P _u	9.6 kN
Reference speed	9500 r/min
Limiting speed	11000 r/min



SMOOTH BEARING MFG.CORP.

Calculation factor - k_r	0.2
d_1	54 mm
D_1	67.4 mm
$r_{1,2}$ min.	1.1 mm
$r_{3,4}$ min.	1.1 mm
s max.	1.9 mm
d_a min.	47 mm
d_a max.	48 mm
d_b min.	56 mm
D_a max.	72.8 mm
r_a max.	1 mm
Basic dynamic load rating C	81.5 kN
Basic static load rating C_0	75 kN
Fatigue load limit P_u	9.65 kN
Calculation factor k_r	0.2
Limiting value e	0.3
Axial load factor Y	0.4
Mass bearing	0.49 kg
Angle ring	HJ 2208 EC